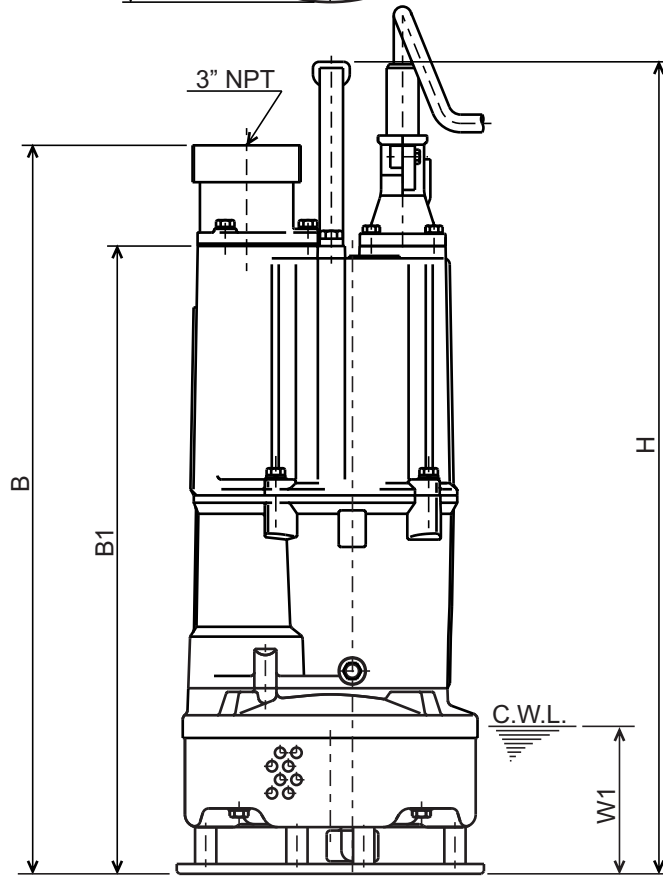
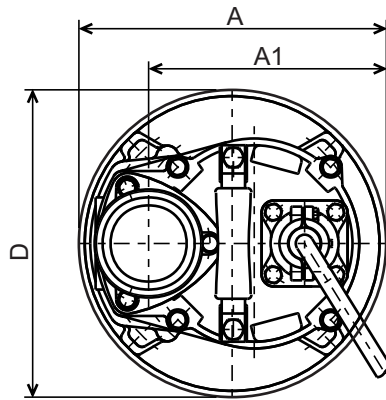




**NK - SERIES [SAND]
SEMI-VORTEX - AGITATOR PUMPS**

DIMENSIONS

**NK2-15SK
NK3-22SK**



C.W.L. : Continuous running Water Level

DIMENSIONS:USCS (Inch)

Model	HP	NOM. SIZE	Pump & Motor						C.W.L.	*Wt.
			A	A1	B	B1	D	H	W1	(lbs.)
NK2-15SK	2	3"	9 13/16	7 15/16	23 3/8	20 1/8	9 13/16	26	4 3/4	71.0
NK3-22SK	3	3"	9 13/16	7 15/16	23 3/8	20 1/8	9 13/16	26	4 3/4	71.4

* Excluding Cable

DIMENSIONS:METRIC (mm)

Model	kW	NOM. SIZE	Pump & Motor						C.W.L.	*Wt.
			A	A1	B	B1	D	H	W1	(kg)
NK2-15SK	1.5	80	250	202	593	511	250	661	120	32.2
NK3-22SK	2.2	80	250	202	593	511	250	661	120	32.4